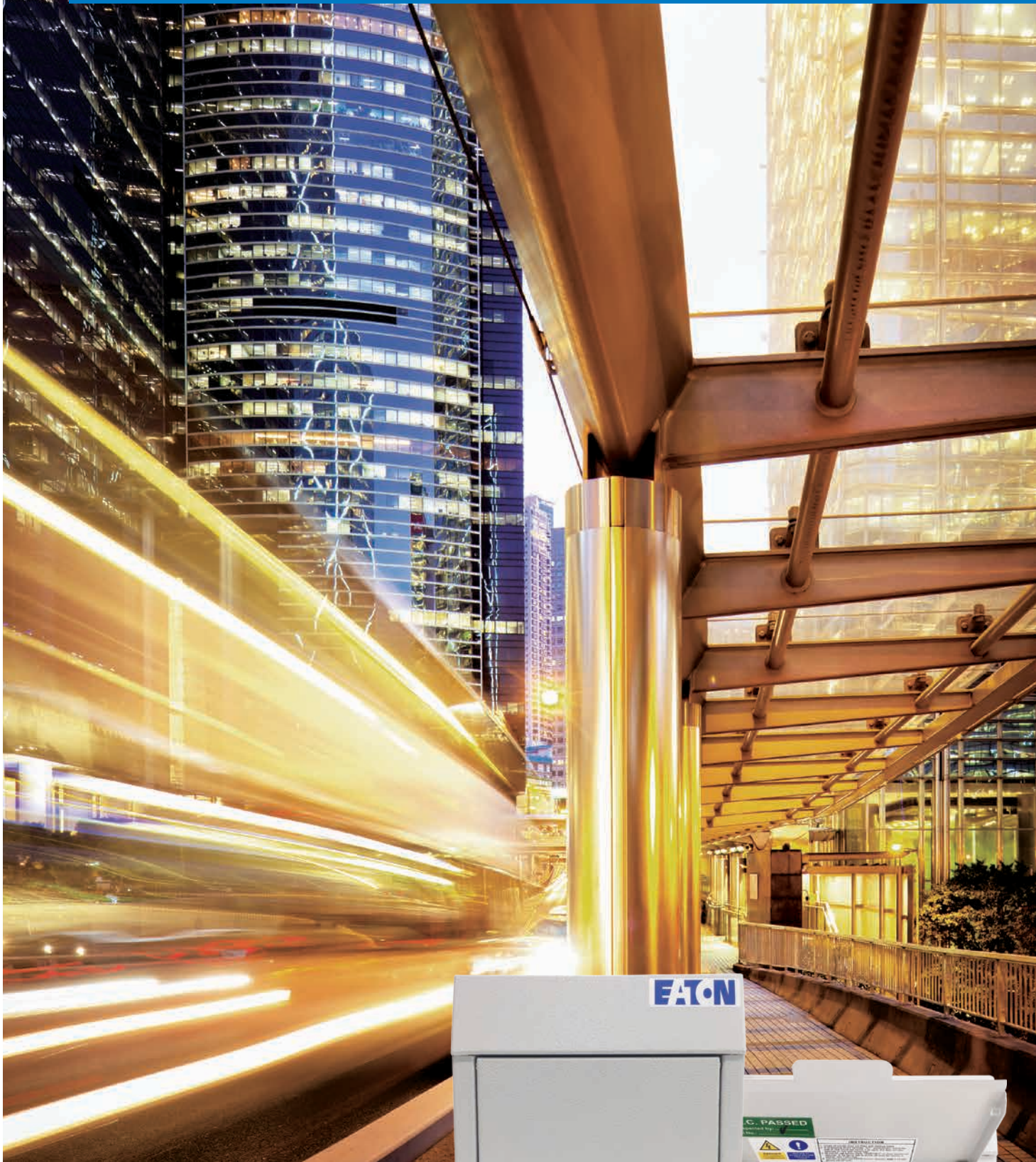


Distribution Board - xBoard
Consumer Unit – SPN DBs



EATON

Powering Business Worldwide

Consumer Unit – SPN DBs product overview

General characteristics

Our inspirations are our customer’s expectations and our mission is to meet them and provide satisfaction through quality products, services & delivery.

Eaton xBoard range of distribution solutions is the basis for development and growth in meeting all the demands for a successful future in residential, commercial and infrastructure segments.

Specifications

- Sheet steel enclosure for single phase distribution
- Designed as per new standards: IEC 61439
- Flush and surface mounting design with IP3X protection
- Colour: As standard RAL 7035, other colours available upon request
- Fitted with sheet steel removable flap door
- Available with or without busbar assembly
- Complete with earth and neutral bars
- Enclosure thickness: 1.2mm
- Gland plate for cable glanding top and bottom

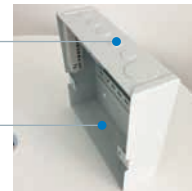


Top gland plates with knock outs

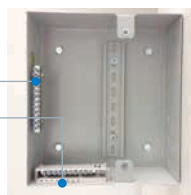
Bottom gland plate with knock out

Earth bar

Neutral Bar



Tin plated comb-busbar



Flap metal cover

Gap for pole fillers

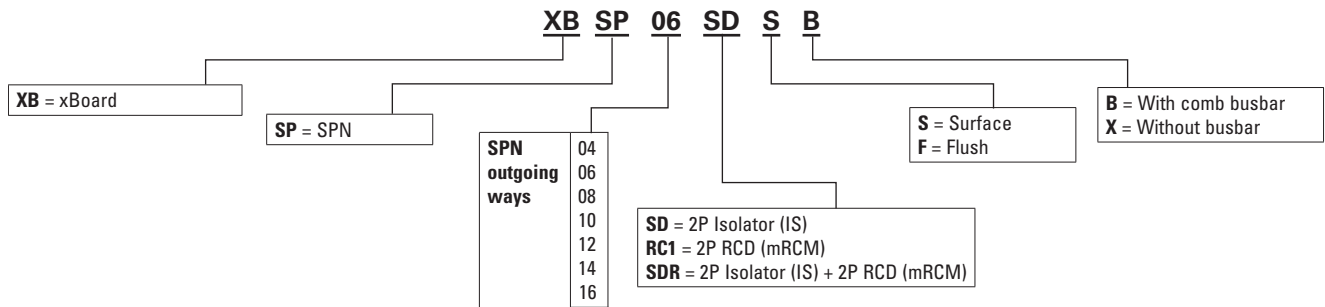
Front door

DIN rail



Type	Busbar rating	Type of mounting	Outgoing ways (SP)	Part number reference	Dimensions (mm)		
					H	W	D
SPN DBs (Provision for 2P Isolator IS incomer)	100A	Flush	4	XBSP04SDFB	235	221	70
			6	XBSP06SDFB	235	255	70
			8	XBSP08SDFB	235	289	70
			10	XBSP10SDFB	235	323	70
			12	XBSP12SDFB	235	357	70
			14	XBSP14SDFB	235	391	70
			16	XBSP16SDFB	235	425	70
		Surface	4	XBSP04SDSB	220	206	70
			6	XBSP06SDSB	220	240	70
			8	XBSP08SDSB	220	274	70
			10	XBSP10SDSB	220	308	70
			12	XBSP12SDSB	220	342	70
			14	XBSP14SDSB	220	376	70
			16	XBSP16SDSB	220	410	70
SPN DBs (Provision for 2P RCD incomer)	100A	Flush	4	XBSP04RC1FB	235	221	70
			6	XBSP06RC1FB	235	255	70
			8	XBSP08RC1FB	235	289	70
			10	XBSP10RC1FB	235	323	70
			12	XBSP12RC1FB	235	357	70
			14	XBSP14RC1FB	235	391	70
			16	XBSP16RC1FB	235	425	70
		Surface	4	XBSP04RC1SB	220	206	70
			6	XBSP06RC1SB	220	240	70
			8	XBSP08RC1SB	220	274	70
			10	XBSP10RC1SB	220	308	70
			12	XBSP12RC1SB	220	342	70
			14	XBSP14RC1SB	220	376	70
			16	XBSP16RC1SB	220	410	70
SPN DBs (Provision for 2P Isolator + 2P RCD incomer)	100A	Flush	4	XBSP04SDRFB	235	255	70
			6	XBSP06SDRFB	235	289	70
			8	XBSP08SDRFB	235	323	70
			10	XBSP10SDRFB	235	357	70
			12	XBSP12SDRFB	235	391	70
			14	XBSP14SDRFB	235	425	70
			16	XBSP16SDRFB	235	459	70
		Surface	4	XBSP04SDRSB	220	240	70
			6	XBSP06SDRSB	220	274	70
			8	XBSP08SDRSB	220	308	70
			10	XBSP10SDRSB	220	342	70
			12	XBSP12SDRSB	220	376	70
			14	XBSP14SDRSB	220	410	70
			16	XBSP16SDRSB	220	444	70
SPN DBs (Without busbars)	100A	Flush	4	XBSP04SDFX	235	221	70
			6	XBSP06SDFX	235	255	70
			8	XBSP08SDFX	235	289	70
			10	XBSP10SDFX	235	323	70
			12	XBSP12SDFX	235	357	70
			14	XBSP14SDFX	235	391	70
			16	XBSP16SDFX	235	425	70
		Surface	4	XBSP04SDSX	220	206	70
			6	XBSP06SDSX	220	240	70
			8	XBSP08SDSX	220	274	70
			10	XBSP10SDSX	220	308	70
			12	XBSP12SDSX	220	342	70
			14	XBSP14SDSX	220	376	70
			16	XBSP16SDSX	220	410	70

Part no. reference



1. Incoming devices

SG10711



A. Main Load Disconnector Switches (Isolator) IS

Rated current In (A)	Poles	Type designation	Article no.
2 pole			
16	2	IS-16/2	276255
20	2	IS-20/2	276259
25	2	IS-25/2	276263
32	2	IS-32/2	276267
40	2	IS-40/2	276271
63	2	IS-63/2	276275
80	2	IS-80/2	276279
100	2	IS-100/2	276283

SG66312



B. Residual Current Devices mRCM

Conditionally surge current-proof 250A, type AC

In/IΔn (A)	Poles	Type designation	Article no.
2 pole			
16/0.01	2	mRCM-16/2/001	158049
16/0.03	2	mRCM-16/2/003	142748
25/0.03	2	mRCM-25/2/003	142750
25/0.1	2	mRCM-25/2/01	142752
25/0.3	2	mRCM-25/2/03	142754
40/0.03	2	mRCM-40/2/003	142756
40/0.1	2	mRCM-40/2/01	142758
40/0.3	2	mRCM-40/2/03	142760
63/0.03	2	mRCM-63/2/003	142762
63/0.1	2	mRCM-63/2/01	142764
63/0.3	2	mRCM-63/2/03	142766
80/0.03	2	mRCM-80/2/003	142768
80/0.1	2	mRCM-80/2/01	142770
80/0.3	2	mRCM-80/2/03	142772
100/0.03	2	mRCM-100/2/003	142774
100/0.1	2	mRCM-100/2/01	142776
100/0.3	2	mRCM-100/2/03	142778

1. Incoming devices

SG66212

C. Miniature Circuit Breakers



Rated current In (A)	Type Designation mMCM/ 10KA, Characteristic C	Article no.	Type Designation mMC6/ 6KA, Characteristic C	Article no.	Type Designation mMC4/ 4.5KA, Characteristic C	Article no.
2 pole						
1	mMCM-C1/2	138992	mMC6-C1/2	138952	mMC4-C1/2	138912
2	mMCM-C2/2	138993	mMC6-C2/2	138953	mMC4-C2/2	138913
3	mMCM-C3/2	138994	mMC6-C3/2	138954	mMC4-C3/2	138914
4	mMCM-C4/2	138995	mMC6-C4/2	138955	mMC4-C4/2	138915
5	mMCM-C5/2	170073	mMC6-C5/2	170001	mMC4-C5/2	169933
6	mMCM-C6/2	138996	mMC6-C6/2	138956	mMC4-C6/2	138916
8	mMCM-C8/2	170074	mMC6-C8/2	170002	mMC4-C8/2	169934
10	mMCM-C10/2	138997	mMC6-C10/2	138957	mMC4-C10/2	138917
12	mMCM-C12/2	170075	mMC6-C12/2	170003	mMC4-C12/2	169935
13	mMCM-C13/2	138998	mMC6-C13/2	138958	mMC4-C13/2	138918
15	mMCM-C15/2	170076	mMC6-C15/2	170004	mMC4-C15/2	169936
16	mMCM-C16/2	138999	mMC6-C16/2	138959	mMC4-C16/2	138919
20	mMCM-C20/2	139000	mMC6-C20/2	138960	mMC4-C20/2	138920
25	mMCM-C25/2	139001	mMC6-C25/2	138961	mMC4-C25/2	138921
32	mMCM-C32/2	139002	mMC6-C32/2	138962	mMC4-C32/2	138922
40	mMCM-C40/2	139003	mMC6-C40/2	138963	mMC4-C40/2	138923
50	mMCM-C50/2	139004	mMC6-C50/2	138964	mMC4-C50/2	138924
63	mMCM-C63/2	139005	mMC6-C63/2	138965	mMC4-C63/2	138925

Note: For other types of RCD's/MCB's Breakers please consult our modular circuit protection devices catalog.

2. Outgoing devices

SG65412

A. Miniature Circuit Breakers



Rated current In (A)	Type Designation mMCM/ 10KA, Characteristic C	Article no.	Type Designation mMC6/ 6KA, Characteristic C	Article no.	Type Designation mMC4/ 4.5KA, Characteristic C	Article no.
1 pole						
1	mMCM-C1/1	138872	mMC6-C1/1	138832	mMC4-C1/1	138792
2	mMCM-C2/1	138873	mMC6-C2/1	138833	mMC4-C2/1	138793
3	mMCM-C3/1	138874	mMC6-C3/1	138834	mMC4-C3/1	138794
4	mMCM-C4/1	138875	mMC6-C4/1	138835	mMC4-C4/1	138795
5	mMCM-C5/1	170065	mMC6-C5/1	169993	mMC4-C5/1	169925
6	mMCM-C6/1	138876	mMC6-C6/1	138836	mMC4-C6/1	138796
8	mMCM-C8/1	170066	mMC6-C8/1	169994	mMC4-C8/1	169926
10	mMCM-C10/1	138877	mMC6-C10/1	138837	mMC4-C10/1	138797
12	mMCM-C12/1	170067	mMC6-C12/1	169995	mMC4-C12/1	169927
13	mMCM-C13/1	138878	mMC6-C13/1	138838	mMC4-C13/1	138798
15	mMCM-C15/1	170068	mMC6-C15/1	169996	mMC4-C15/1	169928
16	mMCM-C16/1	138879	mMC6-C16/1	138839	mMC4-C16/1	138799
20	mMCM-C20/1	138880	mMC6-C20/1	138840	mMC4-C20/1	138800
25	mMCM-C25/1	138881	mMC6-C25/1	138841	mMC4-C25/1	138801
32	mMCM-C32/1	138882	mMC6-C32/1	138842	mMC4-C32/1	138802
40	mMCM-C40/1	138883	mMC6-C40/1	138843	mMC4-C40/1	138803
50	mMCM-C50/1	138884	mMC6-C50/1	138844	mMC4-C50/1	138804
63	mMCM-C63/1	138885	mMC6-C63/1	138845	mMC4-C63/1	138805

Note: For other types of MCB Breakers please consult our modular circuit protection devices catalog.

2. Outgoing devices

SG07911



B. Electronic Combined RCD/RCB Devices eRBM-ME, 1 Module Unit

1+N-Pole

Conditionally surge current-proof 250A, type AC

In/IΔn (A)	Type designation	Article no.
Characteristic C		
6/0.01	eRBM-6/1/C/001-ME	153230
8/0.01	eRBM-8/1/C/001-ME	153231
10/0.01	eRBM-10/1/C/001-ME	153232
13/0.01	eRBM-13/1/C/001-ME	153233
16/0.01	eRBM-16/1/C/001-ME	153234
20/0.01	eRBM-20/1/C/001-ME	153235
25/0.01	eRBM-25/1/C/001-ME	153236
32/0.01	eRBM-32/1/C/001-ME	153237
40/0.01	eRBM-40/1/C/001-ME	153238
45/0.01	eRBM-45/1/C/001-ME	153239
6/0.03	eRBM-6/1/C/003-ME	153240
8/0.03	eRBM-8/1/C/003-ME	153241
10/0.03	eRBM-10/1/C/003-ME	153242
13/0.03	eRBM-13/1/C/003-ME	153243
16/0.03	eRBM-16/1/C/003-ME	153244
20/0.03	eRBM-20/1/C/003-ME	153245
25/0.03	eRBM-25/1/C/003-ME	153246
32/0.03	eRBM-32/1/C/003-ME	153247
40/0.03	eRBM-40/1/C/003-ME	153248
45/0.03	eRBM-45/1/C/003-ME	153249
6/0.1	eRBM-6/1/C/01-ME	153250
8/0.1	eRBM-8/1/C/01-ME	153251
10/0.1	eRBM-10/1/C/01-ME	153252
13/0.1	eRBM-13/1/C/01-ME	153253
16/0.1	eRBM-16/1/C/01-ME	153254
20/0.1	eRBM-20/1/C/01-ME	153255
25/0.1	eRBM-25/1/C/01-ME	153256
32/0.1	eRBM-32/1/C/01-ME	153257
40/0.1	eRBM-40/1/C/01-ME	153258
45/0.1	eRBM-45/1/C/01-ME	153259
6/0.3	eRBM-6/1/C/03-ME	153260
8/0.3	eRBM-8/1/C/03-ME	153261
10/0.3	eRBM-10/1/C/03-ME	153262
13/0.3	eRBM-13/1/C/03-ME	153263
16/0.3	eRBM-16/1/C/03-ME	153264
20/0.3	eRBM-20/1/C/03-ME	153265
25/0.3	eRBM-25/1/C/03-ME	153266
32/0.3	eRBM-32/1/C/03-ME	153267
40/0.3	eRBM-40/1/C/03-ME	153268
45/0.3	eRBM-45/1/C/03-ME	153269

MOELLER BEGEROW
CHAR-LYNN AIRFLEX
SANTAK WALTERSCHEID
BOSTON CROUSE-HINDS
INTERNORMEN SYNFLEX
POWERWARE SEL MEM
JEIL CARTER VICKERS
B-LINE COOPER AIRFLEX
HYDRO-LINE ARGO-TECH
CUTLER-HAMMER COOPER
BEGEROW SANTAK
WEATHERHEAD CARTER
BUSSMANN SYNFLEX
INTEGRATED HYDRAULICS
COOPER HOLEC AEROQUIP
B-LINE CARTER
MEM AIRFLEX BOSTON
SEL MOELLER
POWERWARE INTERNORMEN
WALTERSCHEID VICKERS
AEROQUIP FULLER
JEIL SYNFLEX BUSSMANN

MORE POSSIBILITIES. POWERFUL SOLUTIONS.

EATON

Powering Business Worldwide

UAE

Eaton Middle East Headquarters
National Industries Park - Jebel Ali
P.O. Box: 261768,
Dubai, United Arab Emirates
Tel: +971 4 8066100
Fax: +971 4 8894813
Email: customerservice-me@eaton.com

Kuwait

Shayma Tower, Mezzanine Floor
Omar Bin Al Khattab Street Sharq, Kuwait
Tel: +965 22253606
Fax: +965 22253608
Email: customerservice-me@eaton.com

Saudi Arabia

King Abdullah Street (Ex. Dhahran St.)
Dhahran Center, 1st Floor Office 101
P.O. Box 620
Al-Khobar 31952, Saudi Arabia
Tel: +966 1 38825424/8825680
Fax: +966 1 38825732
Email: customerservice-me@eaton.com

Lebanon

Sin El Fil, Saydet Al Wardiyeh street
Beirut Symposium building
2nd floor, Office 2A
Tel/ Fax: +961 1 494711
Email: customerservice-me@eaton.com

Qatar

Greedco 1 building, office no. 403
PO Box 91357, C Ring Road
Doha, Qatar
Tel: +974 44674273
Fax: +974 44667134
Email: customerservice-me@eaton.com

Saudi Arabia

Saad Al-Ajlan Trade Center 1st Floor
Office 9, Olaya Main Street
P. O. Box 19651
Riyadh 11445, Saudi Arabia
Tel: +966 1 14602275/288-6238
Fax: +966 114602291
Email: customerservice-me@eaton.com

Jordan

Amman-Mekka & Madina streets
intersection.
Al-Haramien intersection.
Al Hajar Al Aswad Cplx, 3rd floor - Office 306
Tel: + 962 6 5542538
Email: customerservice-me@eaton.com

Oman

Maktabi Building, office no.208
Near Zakher Mall, Al Khuwair,
PO Box 1982, PC 111 CPO,
Oman.
Tel: +968 24391973
Fax: +968 24483801
Email: customerservice-me@eaton.com

Eaton

Middle East Headquarters
National Industries Park - Jebel Ali
P.O. Box: 261768,
Dubai, United Arab Emirates
Tel: +971 4 8066100
Fax: +971 4 8894813
www.eaton.com

© 2017 Eaton
All Rights Reserved
Publication No. CA014009EN / CSSC-097
March 2017

Eaton is a registered trademark.

All other trademarks are property
of their respective owners.



Powering Business Worldwide